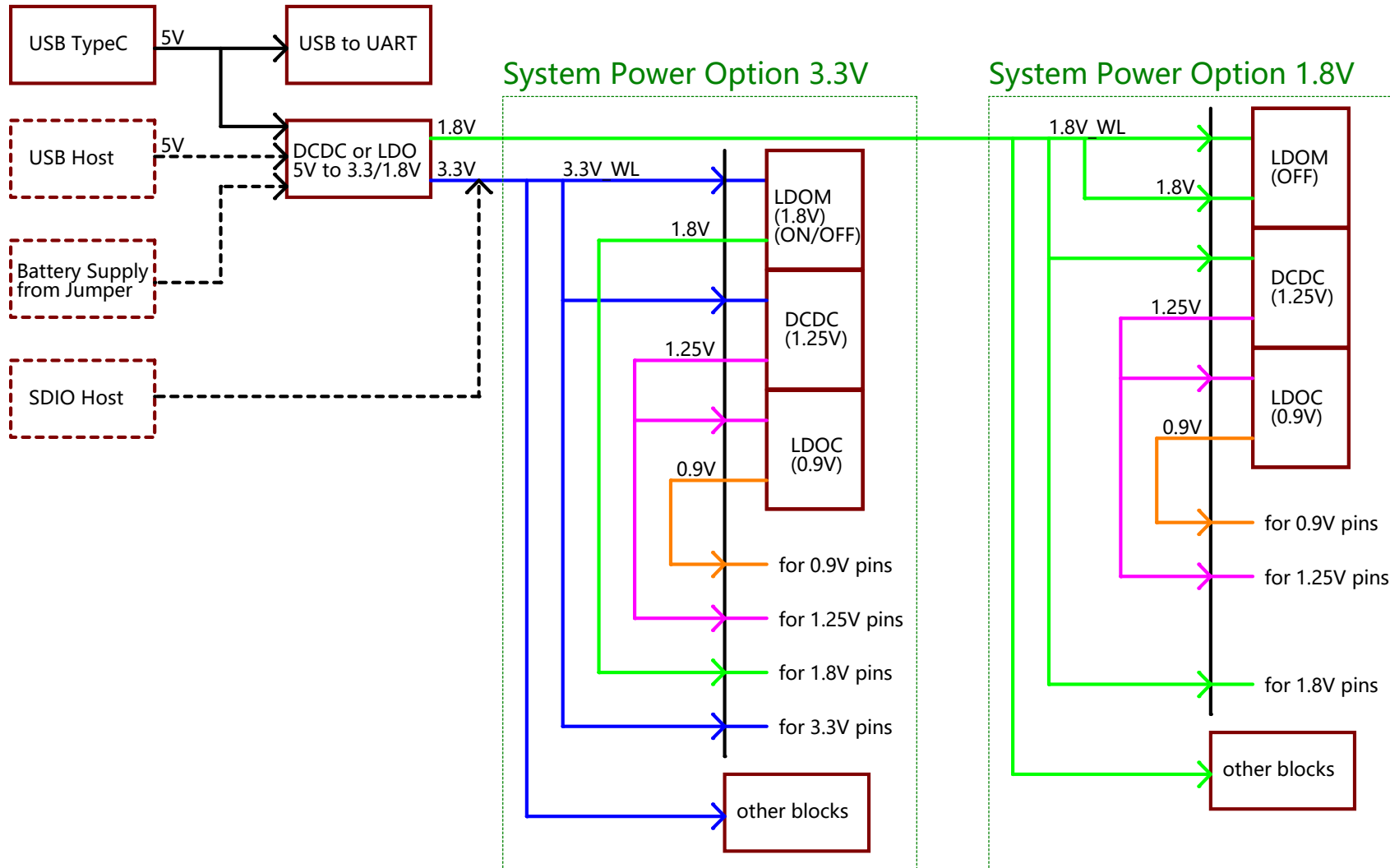
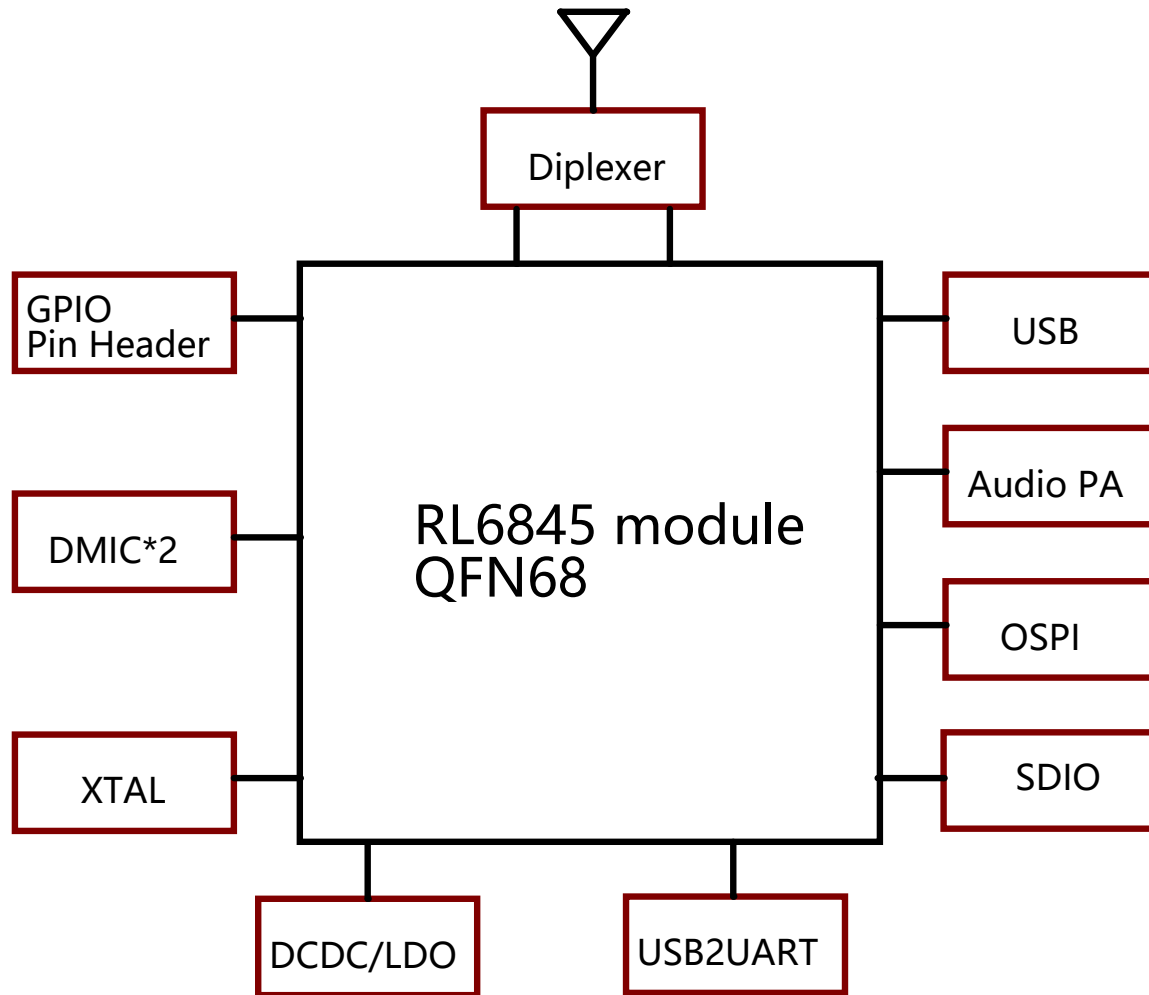


# Power Tree

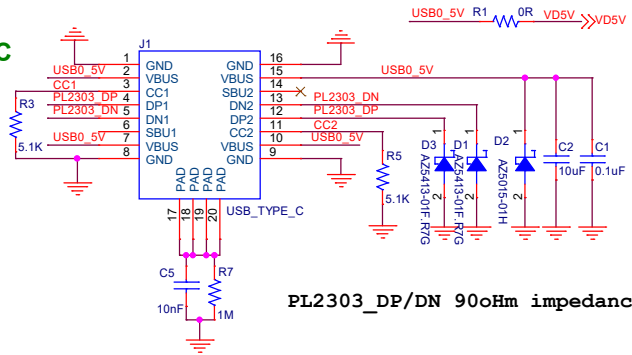


# Block Diagram



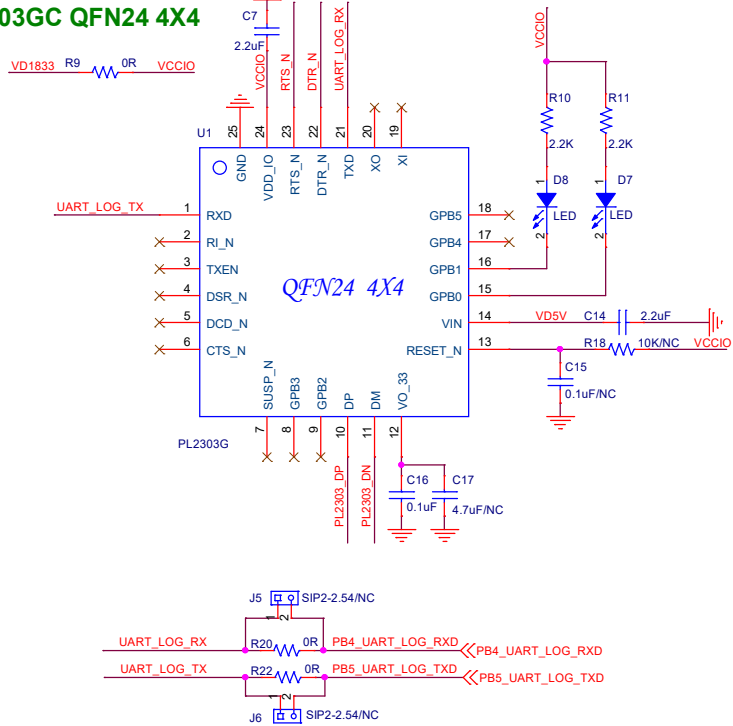
# USB TO UART

## USB Type-C

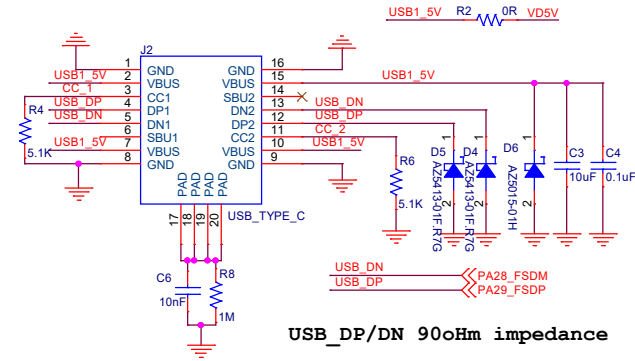


PL2303\_DP/DN 90ohm impedance

## PL2303GC QFN24 4X4

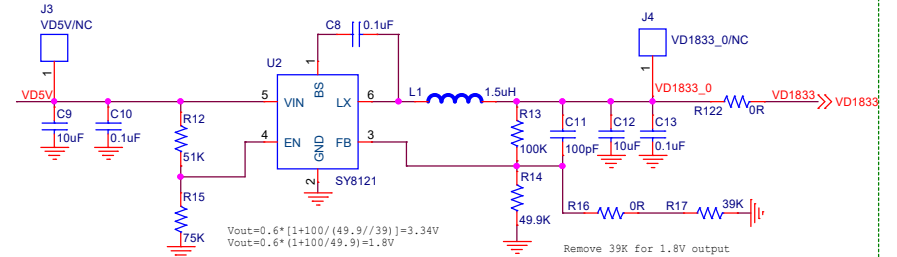


# USB Type-C



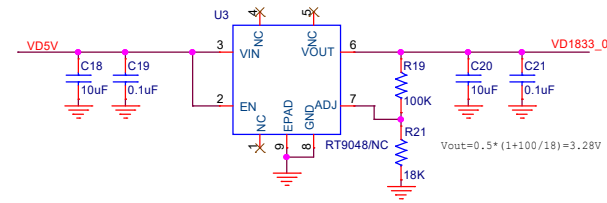
USB\_DP/DN 90ohm impedance

# +5V to +3.3V or +1.8V DCDC

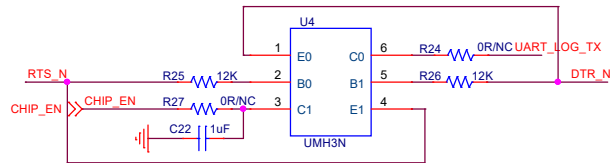


# +5V to +3.3V LDO

Reserved for Battery Supply

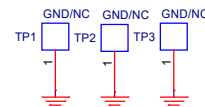
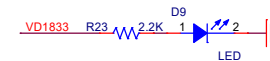


# Auto download

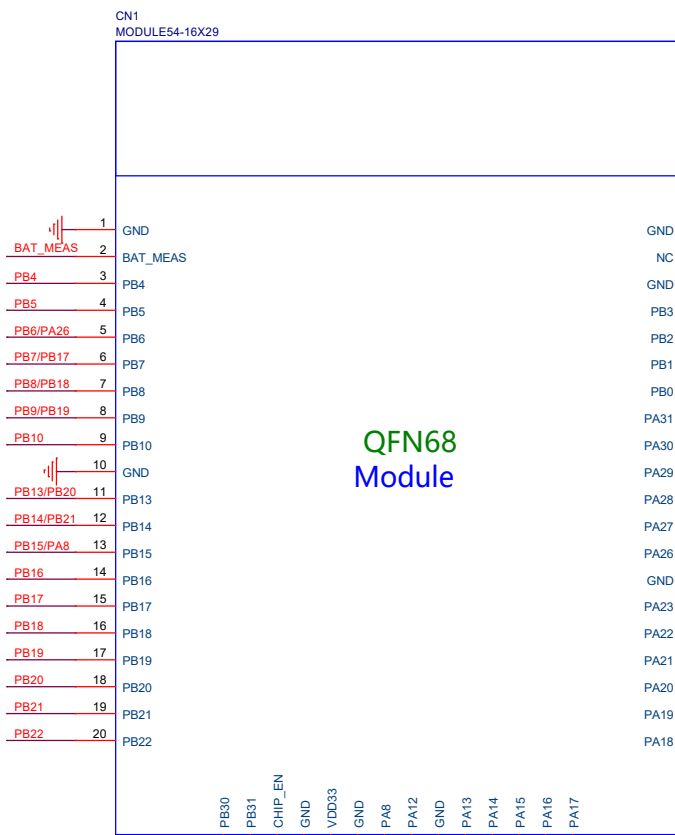


For cases where auto download is not required, this circuit can be NC

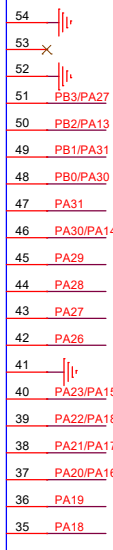
# Power indicator



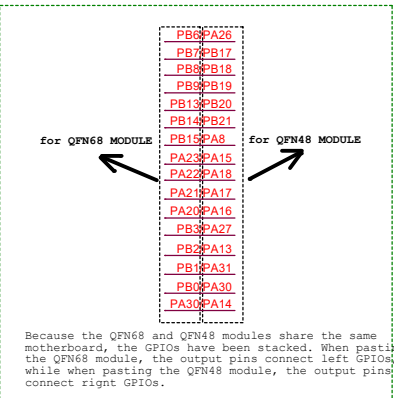
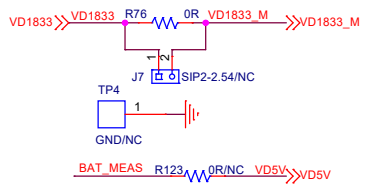
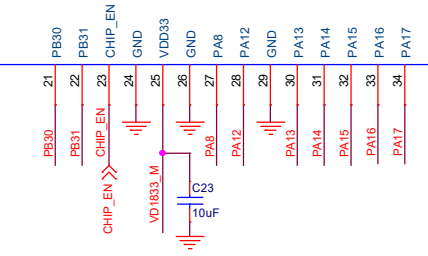
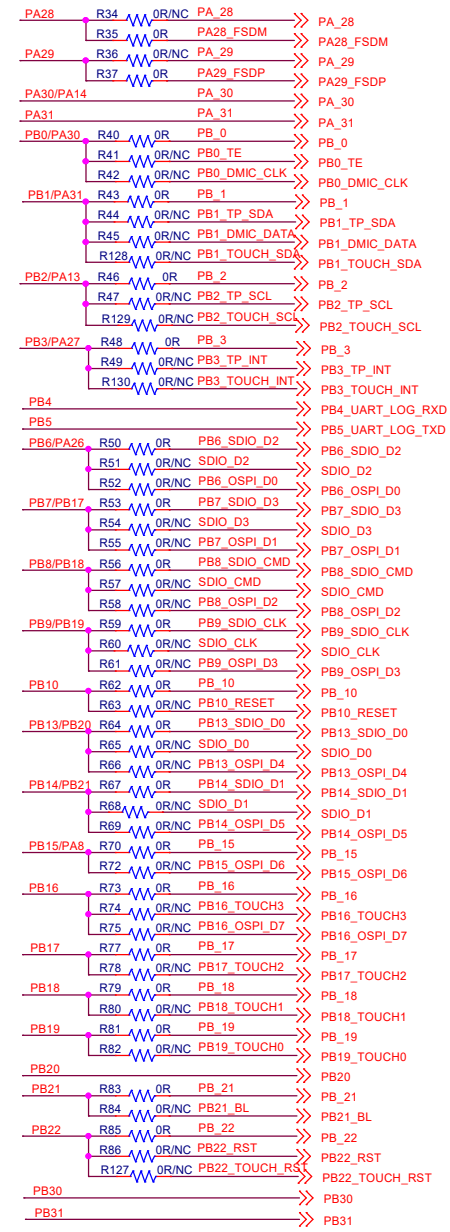
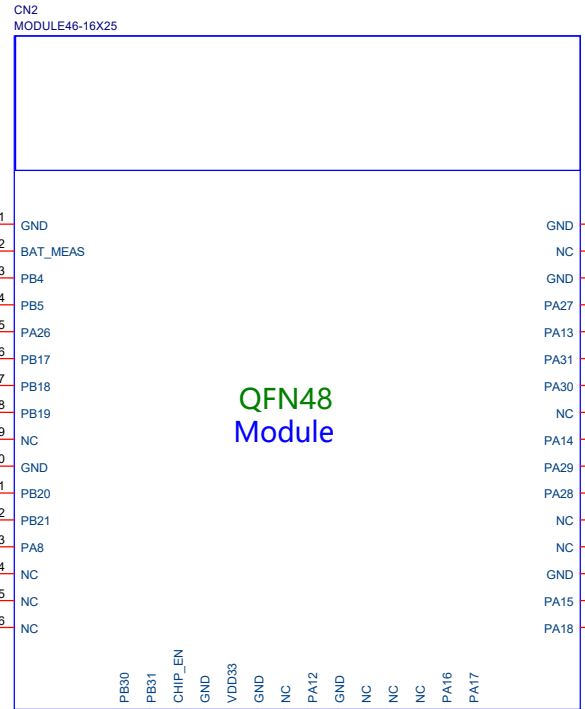
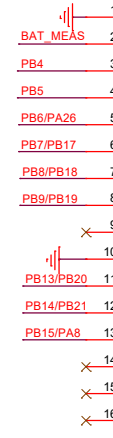
Title		Power & USB
Size	Document Number	Rev
A3	<Doc>	<Rev Code>
Date:	Friday, February 02, 2024	Sheet 3 of 6



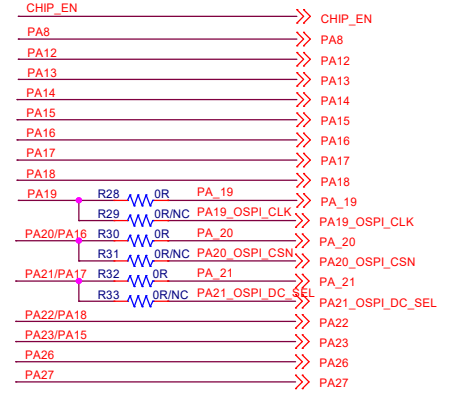
**QFN68 Module**



**QFN48 Module**

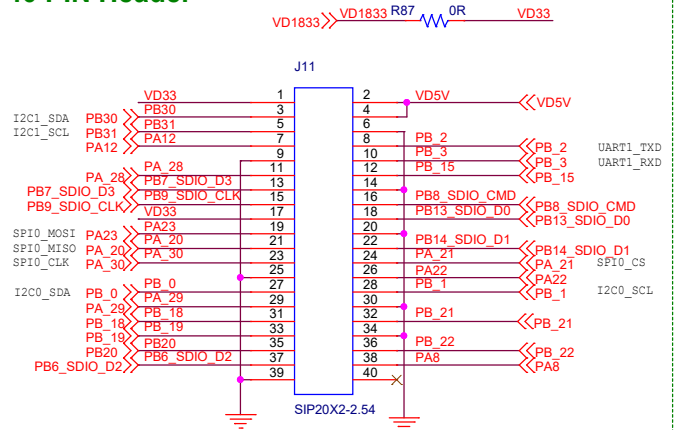


Because the QFN68 and QFN48 modules share the same motherboard, the GPIOs have been stacked. When pasting the QFN68 module, the output pins connect left GPIOs, while when pasting the QFN48 module, the output pins connect right GPIOs.

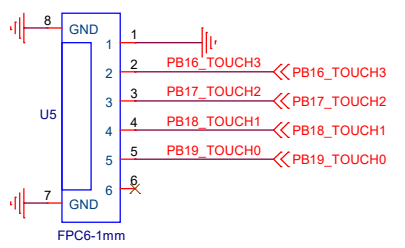


Title		Module
Size	A3	Document Number <Doc>
Date:	Friday, February 02, 2024	Sheet 4 of 6

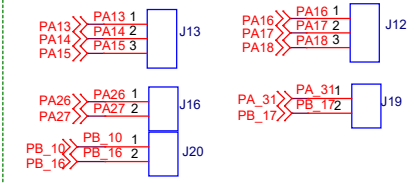
### 40 PIN Header



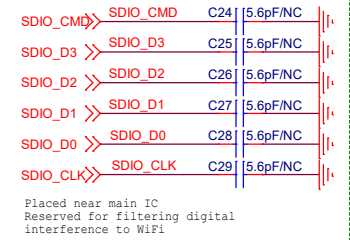
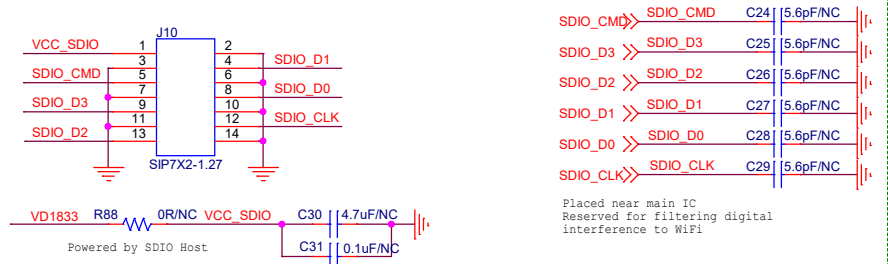
### CAP TOUCH IF



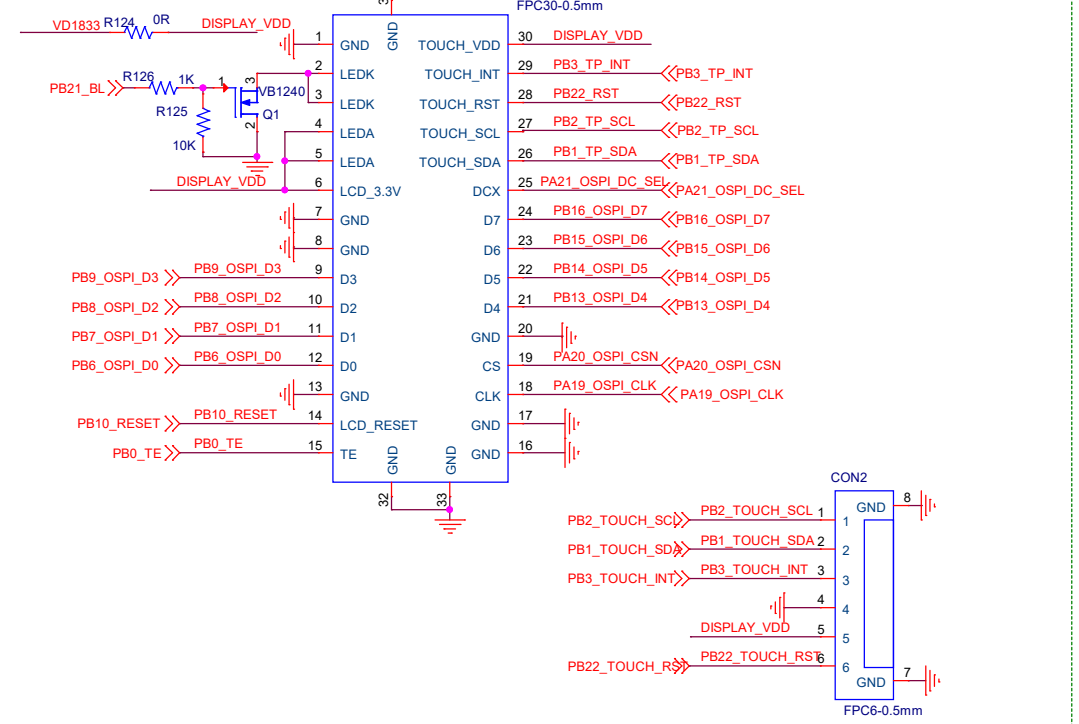
### Others



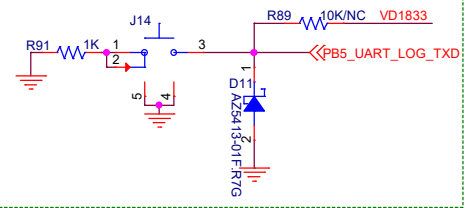
### Pin Header for SDIO Golden Finger



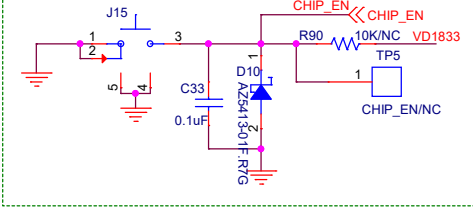
### OSPI



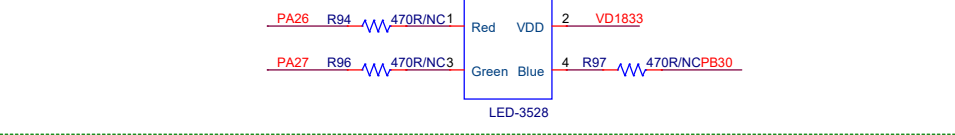
### Download Button



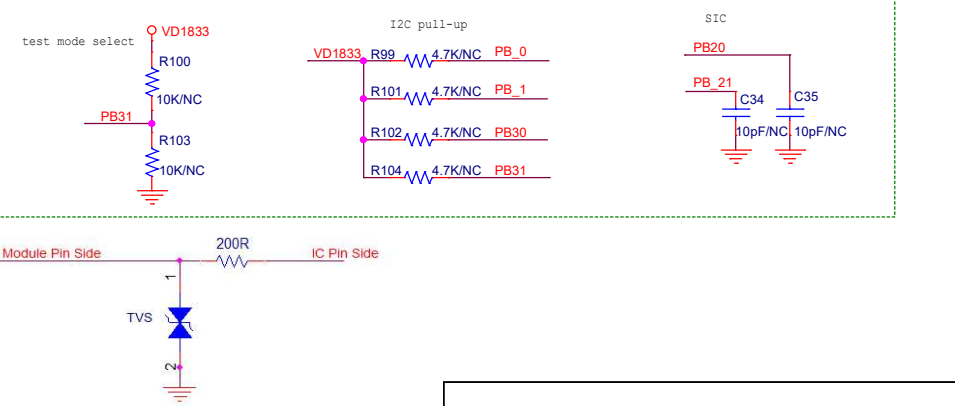
### Chip\_EN Button



### User LED



### Reserve for internal test



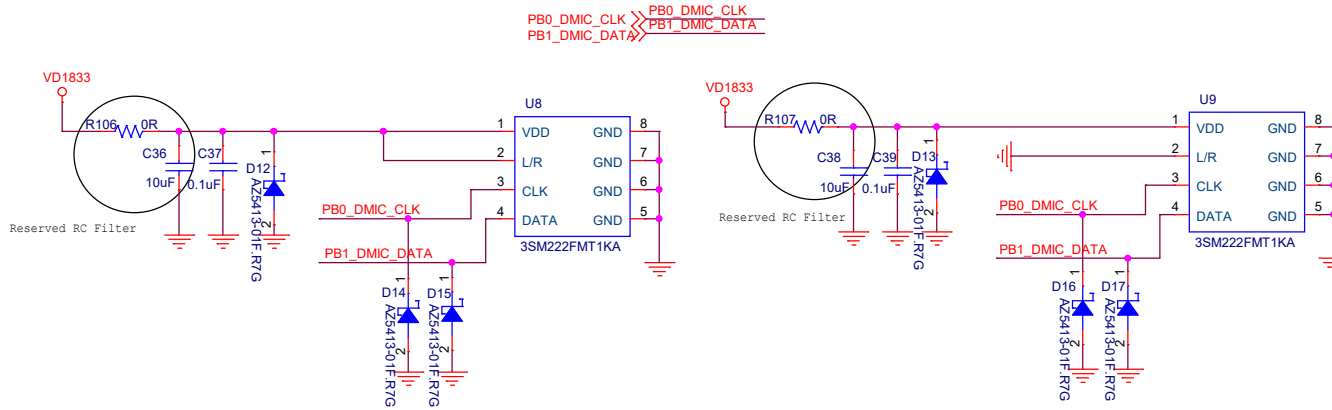
For module pins that require an E-gun test, such as CHIP\_EN or UART, adding a TVS Diode and a serial resistor is recommended

Title		Function
Size	Document Number	Rev
B	<Doc>	<RevCode>
Date:	Friday, February 02, 2024	Sheet 5 of 6

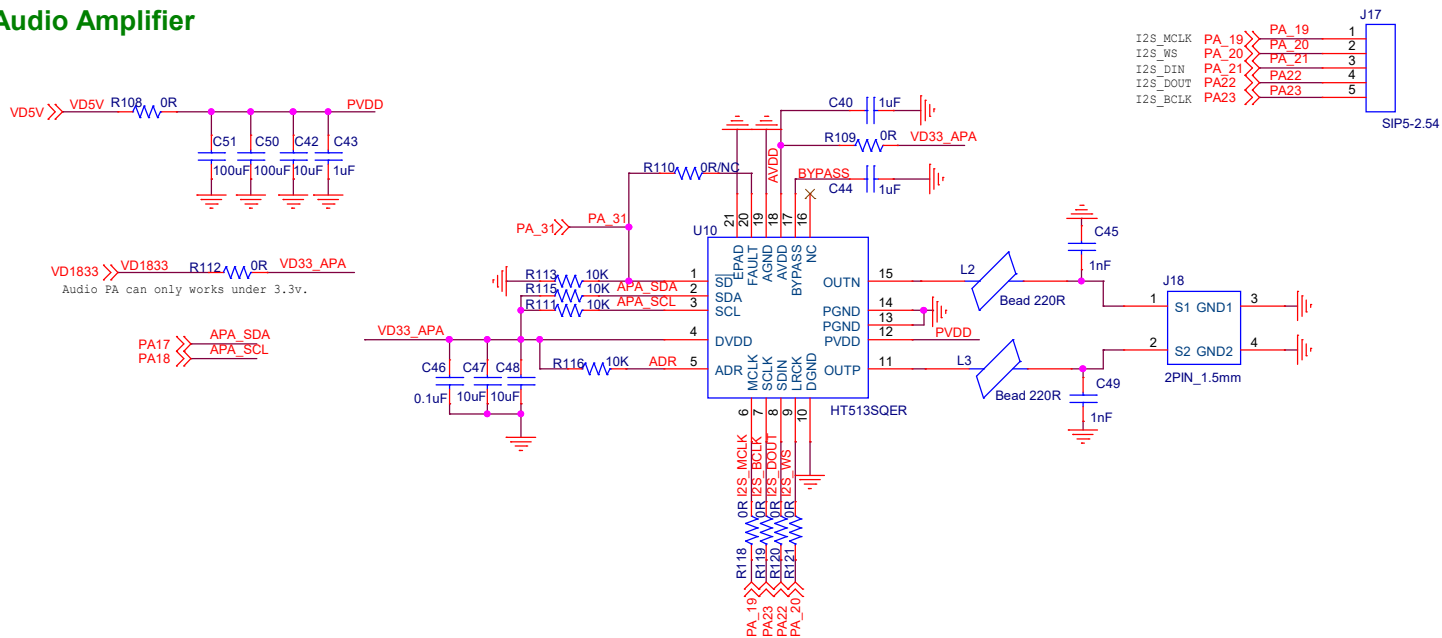
# DMIC

L/R=HIGH, CLK=HIGH, DATA=VALID

L/R=LOW, CLK=LOW, DATA=VALID



# Audio Amplifier



Title		
Audio		
Size	Document Number	Rev
B	<Doc>	<RevCode>
Date:	Monday, February 26, 2024	Sheet 6 of 6